

**SW 1350/1600**  
Sit-on Stacker





### Optimal driving experience

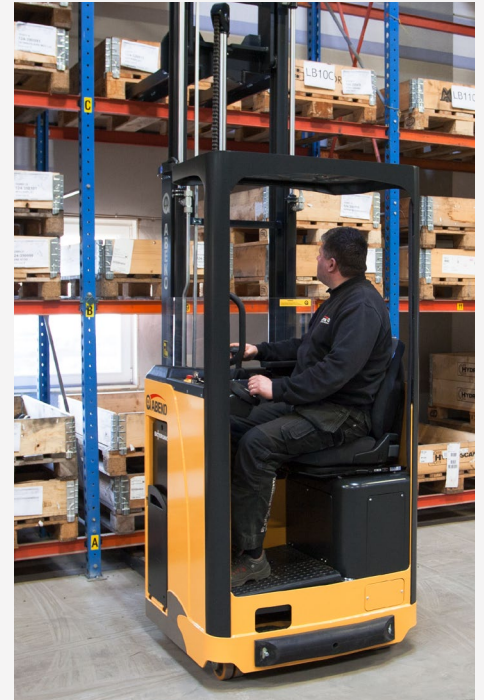
Here the driver experiences an optimum comfort thanks to all adjustment possibilities. The truck is available in a large variety of different designs. Initial lift, 2000kg capacity, four stage mast up to 7 meters with extra low build-height are some examples. Driving with footpedals, joystick or electrically operated mini levers, regular or mini steering wheel in the armrest is optional.



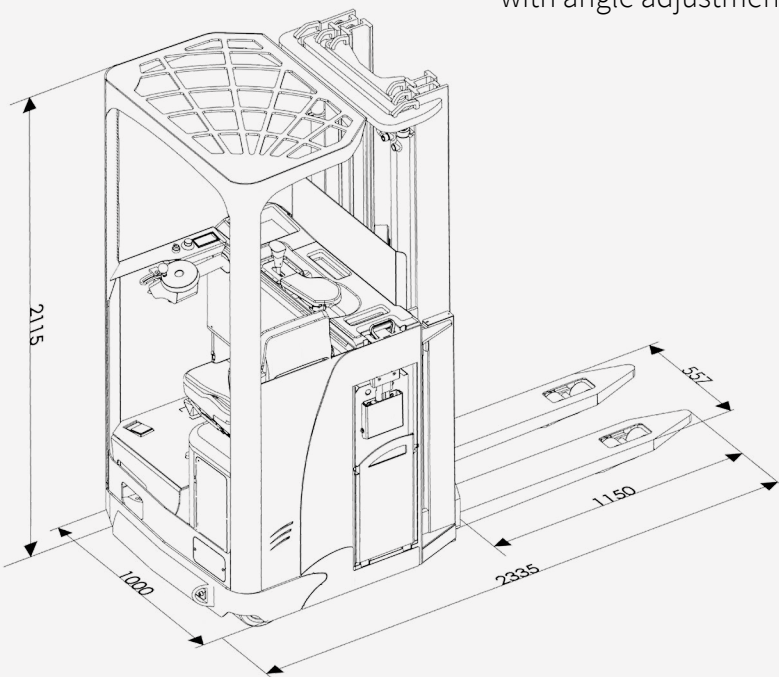
**Step-in** On SW 1350/1600 the step-in is only 230mm which helps the entry and exits from the forklift.



**Adjustments** The steering unit is fully adjustable. Further away, closer to the driver, changing angles etc. Stepless height controlled floor with angle adjustment.



**Sight** Very good sight from the driver's seat. Optimized view up through the mast and up through the driver protection roof.



### Mast alternatives

	Lift height	Free lift	Mast height
Duplex	3200		2225
	3600		2425
	4200		2725
Duplex/Free lift	3300	1760	2190
	3700	1960	2390
	4300	2260	2690
Triplex/Free lift	4900	1760	2190
	5500	1960	2390
	6400	2260	2690
Quadrupel/ Free lift	6450	1760	2190
	7000	1960	2390

Additional liftheight alternatives is available