

SA 1350/1600
Stand-in Stacker



ABEKO SA 1350/1600 - an investment that pays off

The SA 1350/1600 is a heavy duty machine designed for maximum performance and driver safety. Built to deliver the best overall economy with extensive driving – long hours, day after day, year after year. Thanks to ABEKO's long life you not only get an optimal overall economy, you also contribute to a reduced environmental impact and a reduction in the waste of resources.

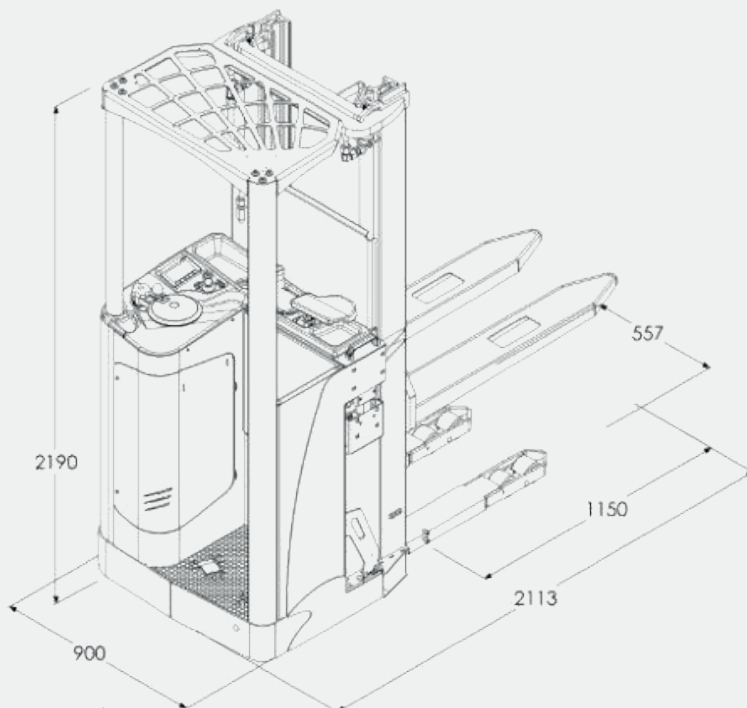
Actil's trucks are a product of Swedish engineering and are built in Sweden.



A workplace for healthier drivers
Ergonomics and operator safety with top-class driver protection and a work environment that is built on the basis of the driver's safety and comfort.

Innovation that pays off
The key to the best overall economy is high quality, reliability and long life. In these areas, ABEKO is at the absolute forefront.

Big possibilities in a compact unit
Auxiliary lift / Initial lift is available on all of our mast heights. At higher lifting heights our electric stabilisers are always included.



Mast alternatives

	Lift height	Free lift	Mast height
Duplex	3200		2225
	3600		2425
	4200		2725
Duplex/Free lift	3300	1760	2190
	3700	1960	2390
	4300	2260	2690
Triplex/Free lift	4900	1760	2190
	5500	1960	2390
	6400	2260	2690
Quadrupel/ Free lift	6450	1760	2190
	7000	1960	2390

Lift of supportlegs is optional on all liftheights

Additional liftheight alternatives is available