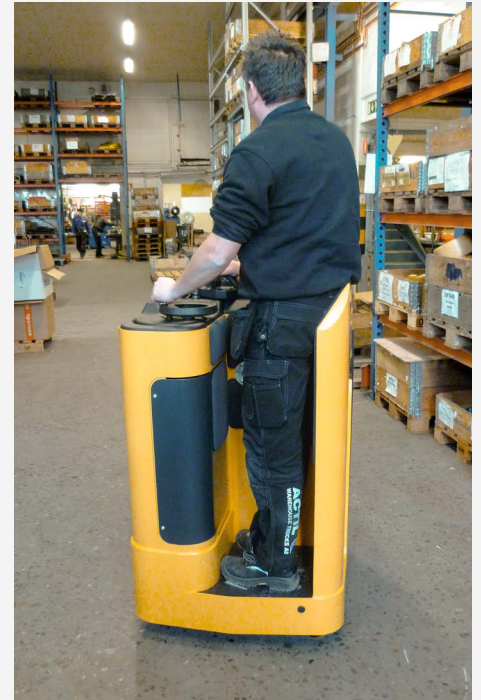


**SAR 20N**  
Low lifter



### Narrower than a EUR pallet

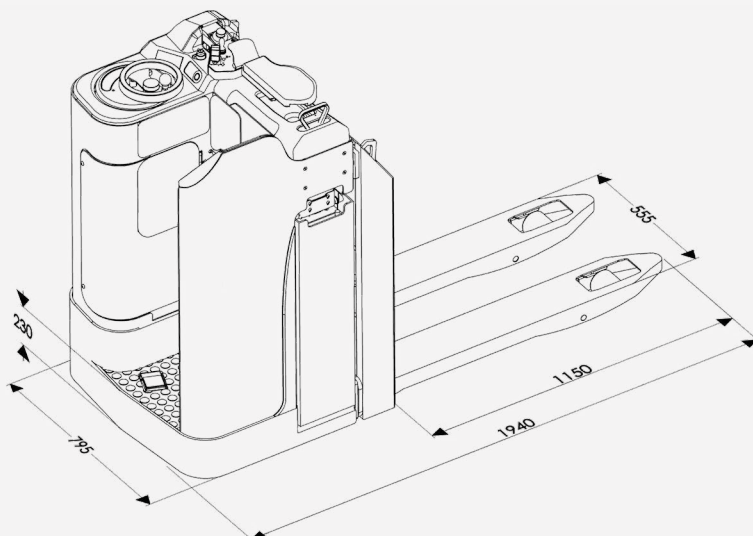
The SAR 20N is a small, narrow and compact truck. It is even slimmer than the EUR pallet. Unlike conventional pedestrian stacker with a flip-down platform the driver stands protected inside the truck. Due to this the SAR 20N also becomes significantly shorter. The truck can be equipped with hydraulic shock absorber and spring loaded castor wheels which provides incredible comfort and saves wear and tear when driving over joints.



**Workplace** Here you stand at a 45 degree riding position for optimum driving forward/backward. The steering wheel and driving unit is stepless adjustable and vibration isolated to reduce strain in the hands and arms.

**Charging** With a simple "pull" the charging glove folds out to the side of the truck and it is easily connected to the charger.

**Protected** The increased lumbar support provides excellent protection and support for the driver.



### Safety

**Speed reduce** The driving speed is reduced continuously when turning.

**Pulsing brake** Minimizes the risk of that the driving wheel locks during braking and loses grip with the substratum.